



TS 71

The inexpensive solution for standard doors – With quality assured

With the TS 71, dormakaba has developed a door closer that rounds off its Classic Line series perfectly. The ease and speed with which it can be fixed, the fact that its spring strength can be so easily adapted to the door size – by simply turning round the hinge plate – and its competitive price should make it the ideal choice for your application.

Certified to ISO 9001

Benefits

For the trade

- Increased stocking flexibility thanks to use of the standard ClassicLine series arm.
- Complements the ClassicLine series as a competitive model for standard doors.

For the installer

- Non-handed design.
- Easy and quick to fix.

For the architect/specifier

- Competitive and reliable.
- Compact construction combined with classic design.

For the user

- Constant closing action virtually unaffected by temperature fluctuations.
- Optimum closing speed adjustment with two regulating valves.
- Reliable closing with adjustable latching action.



The dormakaba TS 71 is CERTIFI RE approved (Certificate No. CF 268) for door types ITT 120 and MM/IMM 240

Standard and optional functions

- 1 Closing speed adjustable in the range 180° – 15°.
- 2 Closing speed adjustable in the range 15° – 0°.
- 3 Latching action.
- 4 Hold-open range for model with hold-open arm (optional extra).

Closing force settings

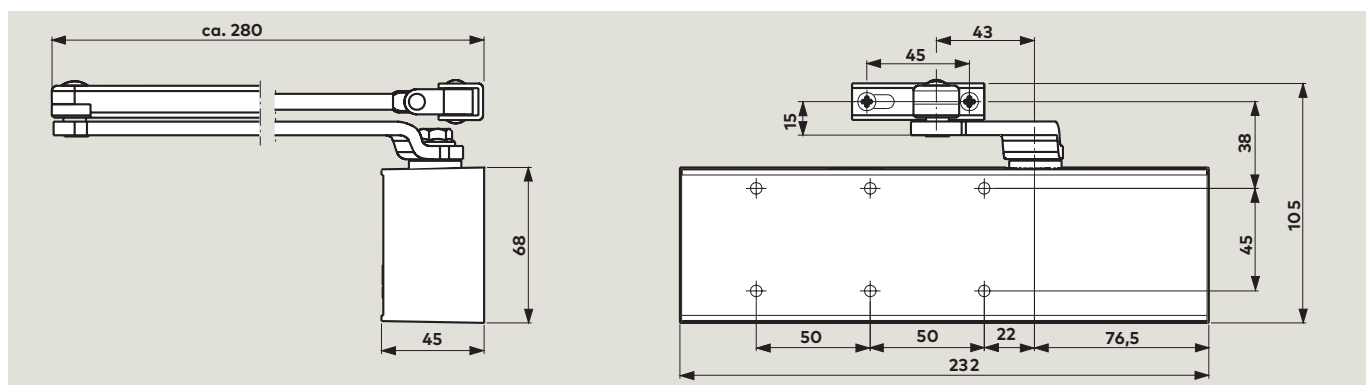
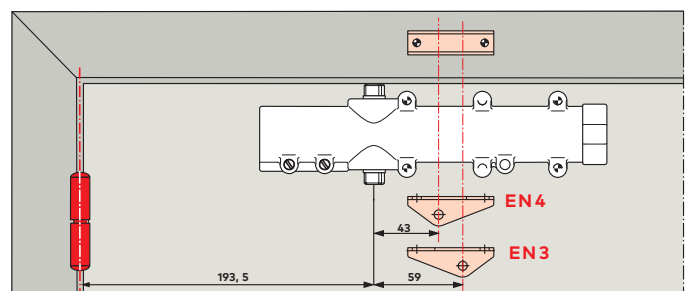
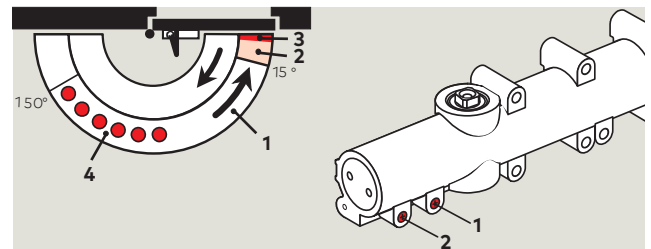
Door width	Setting
≤ 950	EN 3
≤ 1100	EN 4

With the TS 71, the spring strength (size setting) of the closer is adjusted to the door width concerned by merely turning round the hinge plate.

Data and features		TS 71
Spring strength (adjustable by turning round the hinge plate)	Size	EN 3/4
Standard doors ≤ 1100 mm ¹⁾		●
External doors, outward opening		-
Fire doors		●
Non-handed		●
Arm type	Standard	●
	Slide channel	-
Closing speed adjustable at 2 separate valves	180° – 15°	●
	15° – 10°	●
Latching action adjustable (by arm)		●
Backcheck		-
Delayed action		-
Hold-open		○
Weight in kg		1.2
Dimensions in mm	Length	232
	Overall depth	245
	Height	68
Door closer tested and approved to EN 1154		●
CE Marked		●

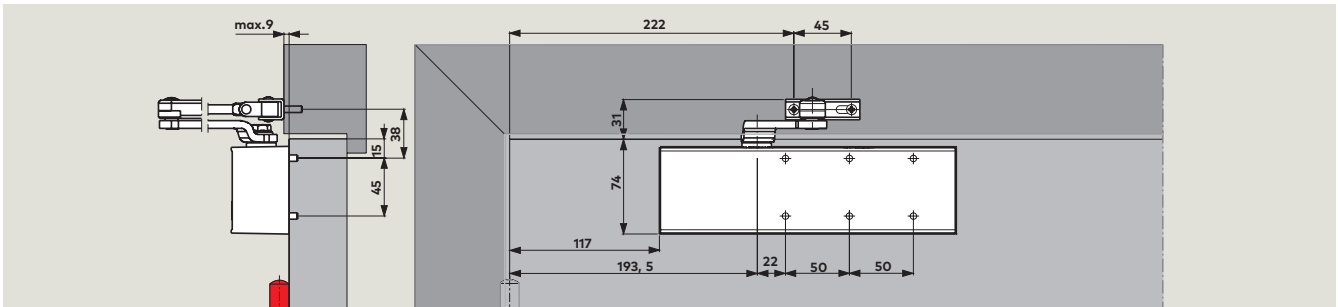
● = Yes - = No ○ = Option

¹⁾ With parallel-arm fixing, the closing force is approx. 20 Nm (for doors up to 950 mm)



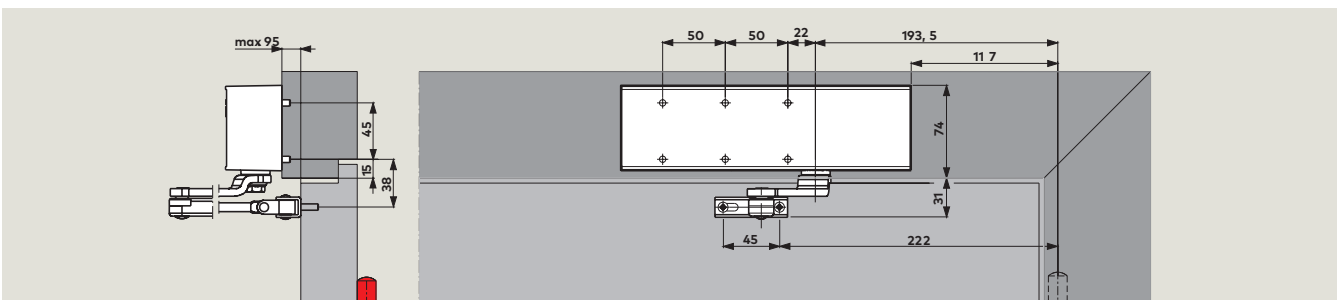
Applications and fixing details

Door leaf fixing, pull side



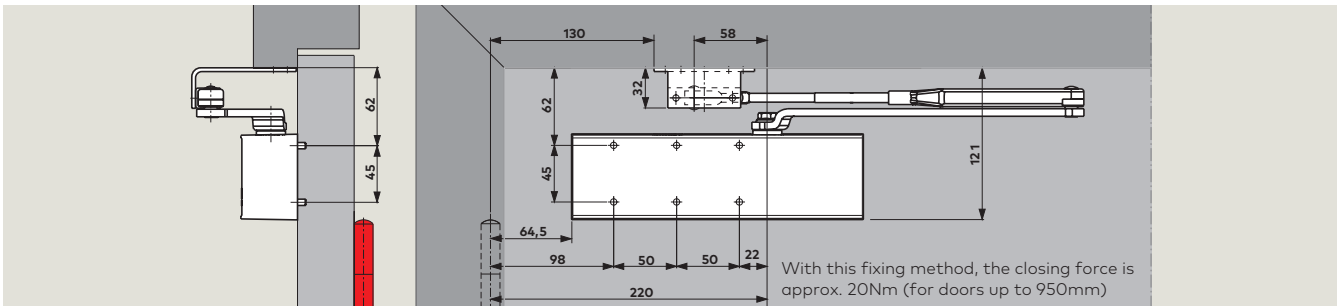
(Example refers to left-hand [ISO 6] door; mirror image applies to right-hand [ISO 5] door)

Transom fixing (overhead frame installation), push side



(Example refers to left-hand [ISO 6] door; mirror image applies to right-hand [ISO 5] door)

Parallel-arm fixing, push side



(Example refers to left-hand [ISO 6] door; mirror image applies to right-hand [ISO 5] door). Parallel-arm bracket (accessory) necessary

Standard equipment and accessories

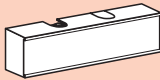


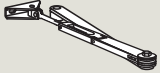

Order No.:

■ = Closer body with arm and fixing bracket for parallel-arm assembly

= Accessory

Colour **xx**
 Silver 01
 Gold 02

Also available in Stainless Steel, Polished Chrome, Polished Brass and Coloured

Closer body TS71 	Standard arm 	Parallel-arm bracket 	Hold-open arm  220025xx	Mounting backplate  220021xx
Size EN 3/4 (PA Size 3) ■	222124xx		#	#

Specification text

Rack-and-pinion door closer with adjustable closing force, size EN 3 or 4, closing speed adjustable in two independent ranges, with adjustable latching action. Non-handed. Tested and approved to EN 1154.

Model

With standard arm and fixing bracket for parallel-arm assembly

Accessories

Hold-open arm
 Mounting backplate

Colour

Silver 01
 Gold 02
 Also available in Stainless Steel, Polished Chrome, Polished Brass and Coloured

Make

dormakaba TS71



www.dormakaba.com

dormakaba Deutschland GmbH
DORMA Platz 1
58256 Ennepetal
Germany
T: +49 2333 793-0
F: +49 2333 793-4950

WN 051 802 51532, GB, 02/18
Subject to change without notice.